

Your Ref:

Quantity:

Product Code: CF1004

Our Ref:

Version: 1

Product Colour:

PRINTING CONCERNS: PRINT MAY DISCOLOUR**PRODUCT INFO: DUE TO THE NATURE OF THE PRODUCT THE PRINT POSITION MAY VARY BY 2 - 3 MM****Madiera Thread Colour**

The dashed line is to demonstrate print area and will not appear on your printed item

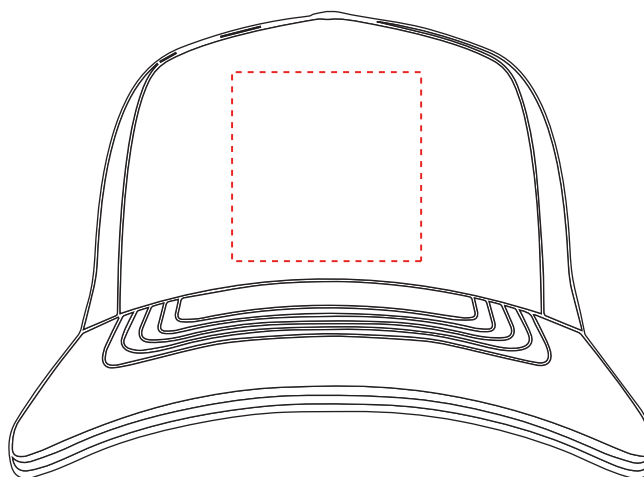
● Colour 1

● Colour 1

● Colour 1

● Colour 1

ARTWORK SCALE 50%



ARTWORK SCALE 100%

Max print area 50mm x 50mm

*To proceed, please approve visual via the online system.***PLEASE NOTE:**

- All colours including print and product are for visual purposes only and should not be regarded as the actual colour of the product and print.
- Some products may vary from batch to batch and may differ from previous orders.
- The colour and texture of a product can also have an effect on the final print colour.
- By approving this order we accept that you understand these terms.

1. Your order will not go in to print and production time cannot be confirmed, unless artwork has been approved via the online system.
2. Once printed, artwork cannot be amended, mistakes must be rectified at visual stage.
3. Claims for faulty goods will be honoured, only if the goods are returned to us. We will not issue credits/refunds for items that have been distributed. Please ensure that goods are satisfactory before distribution
4. We are not responsible for delays during transit.

By approving this visual, you are confirming you have thoroughly checked all information, including layout, fonts, spelling, print colours, print size, print position, product, product colour and quantity.

Your Ref:

Quantity:

Product Code: CF1004

Our Ref:

Version: 1

Product Colour:

PRINTING CONCERNS: PRINT MAY DISCOLOUR**PRODUCT INFO: DUE TO THE NATURE OF THE PRODUCT THE PRINT POSITION MAY VARY BY 2 - 3 MM****Madiera Thread Colour**

The dashed line is to demonstrate print area and will not appear on your printed item

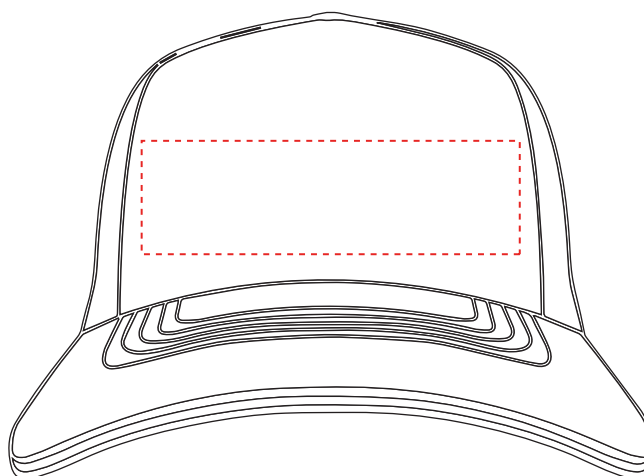
● Colour 1

● Colour 1

● Colour 1

● Colour 1

ARTWORK SCALE 50%



ARTWORK SCALE 100%

Max print area 100mm x 30mm

*To proceed, please approve visual via the online system.***PLEASE NOTE:**

- All colours including print and product are for visual purposes only and should not be regarded as the actual colour of the product and print.
- Some products may vary from batch to batch and may differ from previous orders.
- The colour and texture of a product can also have an effect on the final print colour.
- By approving this order we accept that you understand these terms.

1. Your order will not go in to print and production time cannot be confirmed, unless artwork has been approved via the online system.
2. Once printed, artwork cannot be amended, mistakes must be rectified at visual stage.
3. Claims for faulty goods will be honoured, only if the goods are returned to us. We will not issue credits/refunds for items that have been distributed. Please ensure that goods are satisfactory before distribution
4. We are not responsible for delays during transit.

By approving this visual, you are confirming you have thoroughly checked all information, including layout, fonts, spelling, print colours, print size, print position, product, product colour and quantity.

Your Ref:

Quantity:

Product Code: CF1004

Our Ref:

Version: 1

Product Colour:

PRINTING CONCERNS: PRINT MAY DISCOLOUR**PRODUCT INFO: DUE TO THE NATURE OF THE PRODUCT THE PRINT POSITION MAY VARY BY 2 - 3 MM****Madiera Thread Colour**

The dashed line is to demonstrate print area and will not appear on your printed item

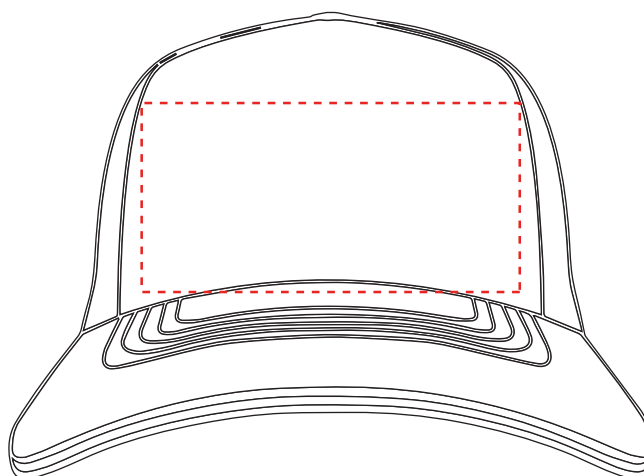
● Colour 1

● Colour 1

● Colour 1

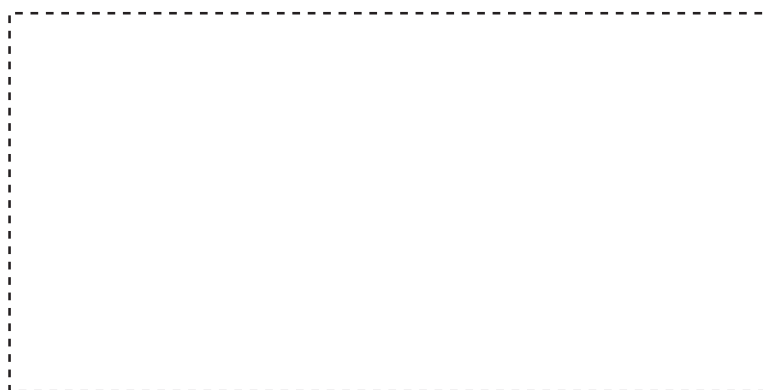
● Colour 1

ARTWORK SCALE 50%



ARTWORK SCALE 100%

Max print area 100mm x 50mm

*To proceed, please approve visual via the online system.***PLEASE NOTE:**

- All colours including print and product are for visual purposes only and should not be regarded as the actual colour of the product and print.
- Some products may vary from batch to batch and may differ from previous orders.
- The colour and texture of a product can also have an effect on the final print colour.
- By approving this order we accept that you understand these terms.

1. Your order will not go in to print and production time cannot be confirmed, unless artwork has been approved via the online system.
2. Once printed, artwork cannot be amended, mistakes must be rectified at visual stage.
3. Claims for faulty goods will be honoured, only if the goods are returned to us. We will not issue credits/refunds for items that have been distributed. Please ensure that goods are satisfactory before distribution
4. We are not responsible for delays during transit.

By approving this visual, you are confirming you have thoroughly checked all information, including layout, fonts, spelling, print colours, print size, print position, product, product colour and quantity.